

**BY PASS ROTAMETER**

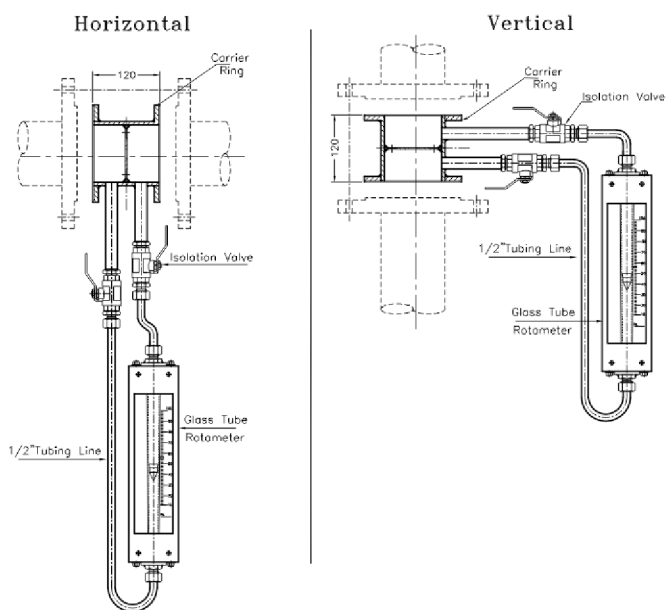


**By-Pass Rotameter** is an Inference type flow meter. Differential pressure (DP) is created by providing an Orifice Plate in the main line. Due to the differential pressure, fluid flows through branch pipes provided across the upstream and downstream sides of the Orifice Plate. An additional Range Orifice plate is provided in the by-pass line as flow through the by-pass line will be in proportion with Main Line.

**Specifications:**

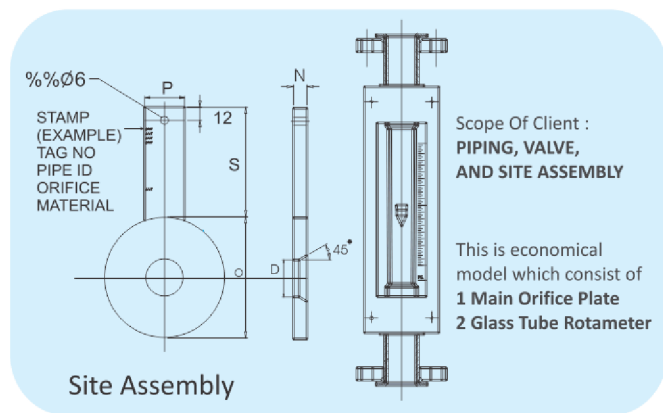
- By- Pass Rotameter Type: Glass Tube / Metal Tube / Acrylic
- Flange: CS / A 105 / SS 304 / SS 316
- Carrier Ring: CS / A 105 / SS 304 / SS 316
- Line Size from 80 NB to 300 NB
- Main Orifice Plate: SS 316 / SS 304 / PTFE
- Range Orifice Plate: SS 316 / SS 304 / PTFE
- Accuracy :+/- 5% of FullScale
- Measuring Span :1:10
- Scale: Acrylic / Aluminum / SS
- Measuring Span :1:10

**Just Insert Model**



		Pressure Drop in Meters per Water Column									
		1.2	2.5	3.8	5.0	10.0	1.2	2.5	3.8	5.0	10.0
MAIN LINE	LIQUID M <sup>3</sup> / Hr					AIR NM <sup>3</sup> / Hr					
	40	8	12	14	16	22	246	350	424	492	730
50	13	19	22	27	38	407	577	713	815	1206	
65	19	27	34	38	54	594	849	1019	1155	1699	
80	29	40	52	59	83	917	1274	1580	1835	2684	
100	59	86	104	120	170	1869	2616	3228	3738	5437	
125	95	136	163	188	272	2888	4078	5097	5777	8496	
150	136	192	227	272	385	4248	5947	7306	8496	12234	
200	227	340	408	476	658	7306	10365	12744	14613	21409	
250	363	522	635	749	1044	11554	16482	20390	23109	33984	
300	522	749	930	1066	1498	16482	23109	28036	32284	47577	

Bills of Materials		
SR. NO.	ITEM	M.O.C.
1.	Carrier Ring	MS / SS 304 / SS 316
2.	Rotameter Type	Glass Tube Rotameter / Metal Tube Rotameter Acrylic Rotameter
3.	Float	MS / SS 304 / SS 316 / PTFE
4.	Tube Material	Glass / Metal / Acrylic
5.	Orifice Plate	MS / SS 304 / SS 316 / PTFE / HAST-C
6.	By Pass Line & Fittings	MS / SS



Data Required for Offer	
Tag No.	MOC of Main Pipe
Flange Size. Specification	Main Pipe Size
Flow Max., Nor., Min.,	Fluid
Density	Pressure
Temperature	Viscosity
Measuring Range	

**Optional Features :**

- 1 Two-Wire Transmitter & Latching Type Switch can be provided in By-Pass Rotameter